

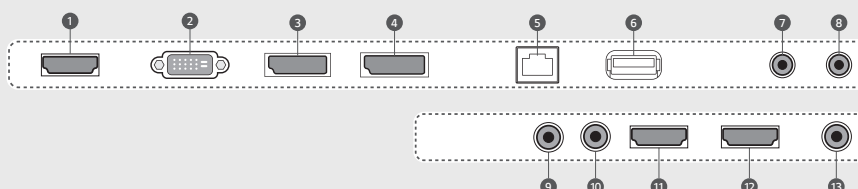
	55SM5KE	49SM5KE	43SM5KE	32SM5KE
PANEL				
Screen Size	55"	49"	43"	32"
Panel Technology	IPS			
Aspect Ratio	16 : 9			
Native Resolution	1,920 x 1,080 (FHD)			
Brightness	450 cd/m ²	450 cd/m ²	450 cd/m ²	400 cd/m ²
Contrast Ratio	1,100:1			
Viewing Angle (H x V)	178 x 178			
Response Time	12 ms (G to G BW), 9.0 ms (WOT)	12 ms (G to G BW), 10.1 ms (WOT)	12 ms (G to G BW), 9.4 ms (WOT)	10 ms (G to G BW), 7.1 ms (WOT)
Surface Treatment (Haze)	Hard Coating (3H), Anti-glare Treatment of the Front Polarizer (Haze 1% (Typ.))			
Life time (Typ.)	50,000 Hrs	50,000 Hrs	50,000 Hrs	50,000 Hrs
Operation Hours	24 Hrs	24 Hrs	24 Hrs	24 Hrs
Orientation	Landscape & Portrait	Landscape & Portrait	Landscape & Portrait	Landscape & Portrait
CONNECTIVITY				
Input	HDMI (3), DP, DVI-D, Audio, USB 3.0	HDMI (3), DP, DVI-D, Audio, USB 3.0	HDMI (3), DP, DVI-D, Audio, USB 3.0	HDMI (3), DP, DVI-D, Audio, USB 3.0
Output	DP (SST), Audio (Off/Fixed/Variable)	DP (SST), Audio (Off/Fixed/Variable)	DP (SST), Audio (Off/Fixed/Variable)	DP (SST), Audio (Off/Fixed/Variable)
External Control	RS232C In/out, RJ45 In, IR Receiver In	RS232C In/out, RJ45 In, IR Receiver In	RS232C In/out, RJ45 In, IR Receiver In	RS232C In/out, RJ45 In, IR Receiver In
MECHANICAL SPECIFICATION				
Bezel Color	Black	Black	Black	Black
Bezel Width	11.9 mm (T/R/L), 18 mm (B)	11.9 mm (T/R/L), 18 mm (B)	11.9 mm (T/R/L), 18 mm (B)	13 mm (T/R/L), 18 mm (B)
Monitor Dimension (W x H x D)	1,238 x 714.9 x 54 mm	1,102.2 x 638.5 x 54 mm	969.6 x 563.9 x 54 mm	729.4 x 428.9 x 55.5 mm
Weight (Head)	17.5 kg	14.3 kg	10.0 kg	5.4 kg
Monitor with Optional Stand Dimensions (W x H x D)	1,238 x 773.4 x 219.6 mm	1102.2 x 696.8 x 219.6 mm	969.6 x 622.2 x 193 mm	729.4 x 481 x 154.2 mm
Weight (Head+Stand)	20.8 kg	17.6 kg	12.5 kg	6.2 kg
Carton Dimension (W x H x D)	1,330 x 807 x 170 mm	1,197 x 760 x 166 mm	1,052 x 650 x 123 mm	810 x 510 x 132 mm
Packed Weight	21.7 kg	17.4 kg	12.6 kg	6.7 kg
VESA™ Standard Mount Interface	300 x 300 mm	300 x 300 mm	200 x 200 mm	200 x 200 mm
KEY FEATURE	Internal Memory 8GB (System 4GB, Available 3.6GB), Built-in Wi-Fi, Temperature Sensor, Auto Brightness Sensor, Current Sensor, webOS 4.0, Embedded CMS, Fail Over, Image Customization, PIP/PBP(2), Screen Share, Video Tag (2), Play via URL, Gapless Playback, Tile Mode Setting (Up to 15x15), Setting Data Cloning, Firmware Update by Network, SNMP (Ver. 1.4), Control Manager, Crestron Connected*, Extron IP Link, Smart Energy Saving, Beacon, HDMI-CEC (2)**, Built-in Speaker (10W+10W)			
ENVIRONMENTAL CONDITIONS				
Operation Temperature	0°C to 40°C	0°C to 40°C	0°C to 40°C	0°C to 40°C
Operation Humidity	10% to 80%	10% to 80%	10% to 80%	10% to 80%
POWER				
Power Type	100-240V~, 50/60Hz	100-240V~, 50/60Hz	100-240V~, 50/60Hz	100-240V~, 50/60Hz
Power Supply	Built-In Power	Built-In Power	Built-In Power	Built-In Power
Power Typ. / Max.	100 W (TBD) / 115 W	85 W (TBD) / 105 W	75 W (TBD) / 95 W	60 W (TBD) / 85 W
Consumption Smart Energy Saving	70 W (TBD)	60 W (TBD)	55 W (TBD)	45 W (TBD)
CERTIFICATION				
Safety	IEC 60950-1 / EN 60950-1 / UL 60950-1	IEC 60950-1 / EN 60950-1 / UL 60950-1	IEC 60950-1 / EN 60950-1 / UL 60950-1	IEC 60950-1 / EN 60950-1 / UL 60950-1
EMC	FCC Class "A" / CE / KC	FCC Class "A" / CE / KC	FCC Class "A" / CE / KC	FCC Class "A" / CE / KC
ErP / Energy Star	N/A / Yes (Energy Star 7.0)	N/A / Yes (Energy Star 7.0)	N/A / Yes (Energy Star 7.0)	N/A / Yes (Energy Star 7.0)
MEDIA PLAYER COMPATIBILITY				
OPS Type Compatible	Yes	Yes	Yes	Yes
External Media Player Attachable	Yes	Yes	Yes	Yes
SOFTWARE COMPATIBILITY				
Content Management Software	SuperSign CMS	SuperSign CMS	SuperSign CMS	SuperSign CMS
Control and Monitoring Software	SuperSign Control+/Control	SuperSign Control+/Control	SuperSign Control+/Control	SuperSign Control+/Control
ACCESSORIES				
Basic	Remote Controller (2ea Batteries Included), Power Cord, QSG, HDMI Cable, Regulation Book, Phone to RS232C Gender, Memory Cover			
Optional	Stand (ST-492T), Media Player, Wall Bracket (LSW350B), VESA Adapter (AM-B330S), OPS Kit (KT-OPSA), HDBaseT (EB-B100), Touch Overlay (KT-T55E)	Stand (ST-492T), Media Player, Wall Bracket (LSW350B), VESA Adapter (AM-B330S), OPS Kit (KT-OPSA), HDBaseT (EB-B100), Touch Overlay (KT-T49E)	Stand (ST-432T), Media Player, Wall Bracket (LSW230B), VESA Adapter (AM-B220S), OPS Kit (KT-OPSA), HDBaseT (EB-B100), Touch Overlay (KT-T43E)	Stand (ST-322T), Media Player, Wall Bracket (LSW230B), VESA Adapter (AM-B220S), OPS Kit (KT-OPSA), HDBaseT (EB-B100), Touch Overlay (KT-T32E)
EAN	8806098291267	8806098291182	8806098290178	8806098289509

Conessioni

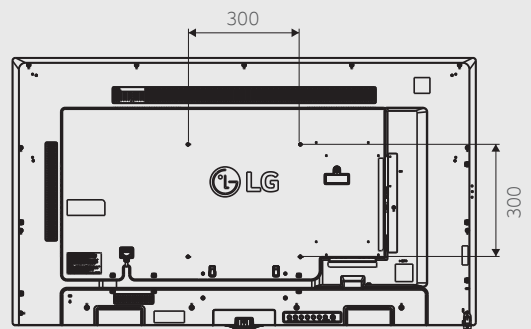
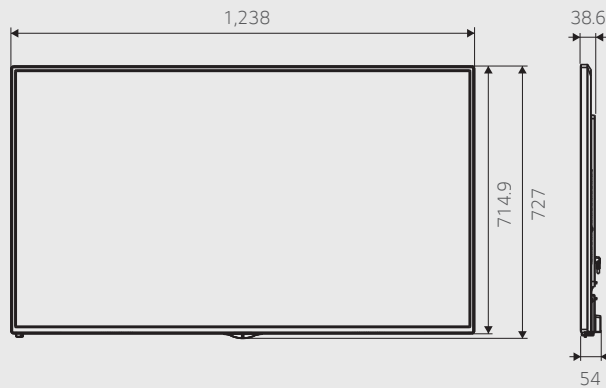
55SM5KE \ 49SM5KE \ 43SM5KE \ 32SM5KE



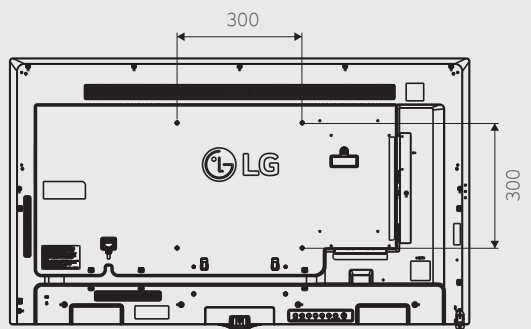
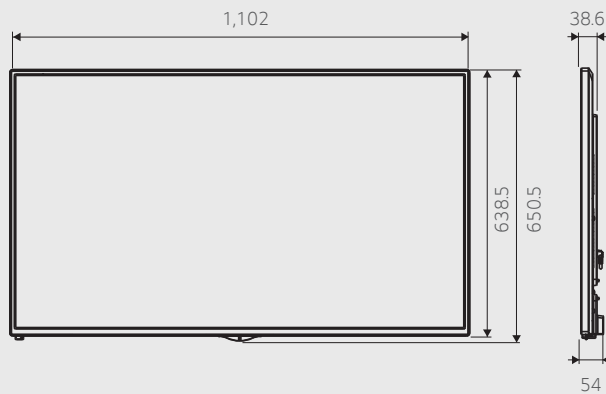
- ① HDMI IN 1
- ② DVI-D IN
- ③ DP IN
- ④ DP OUT
- ⑤ LAN
- ⑥ USB 3.0
- ⑦ RS232C IN
- ⑧ RS232C OUT
- ⑨ AUDIO IN
- ⑩ AUDIO OUT
- ⑪ HDMI IN 2
- ⑫ HDMI IN 3
- ⑬ IR & LIGHT SENSOR



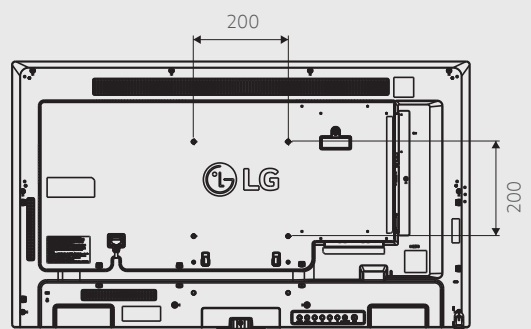
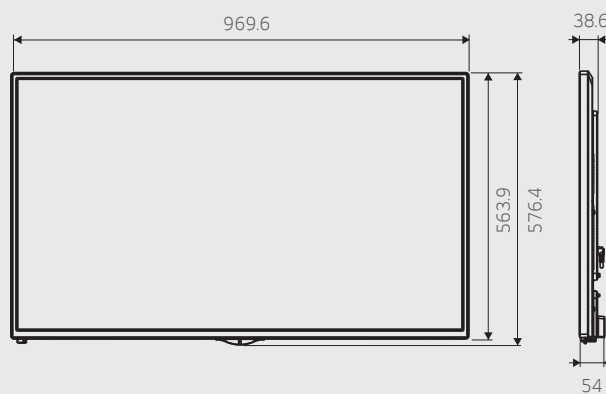
55"



49"



43"



32"

