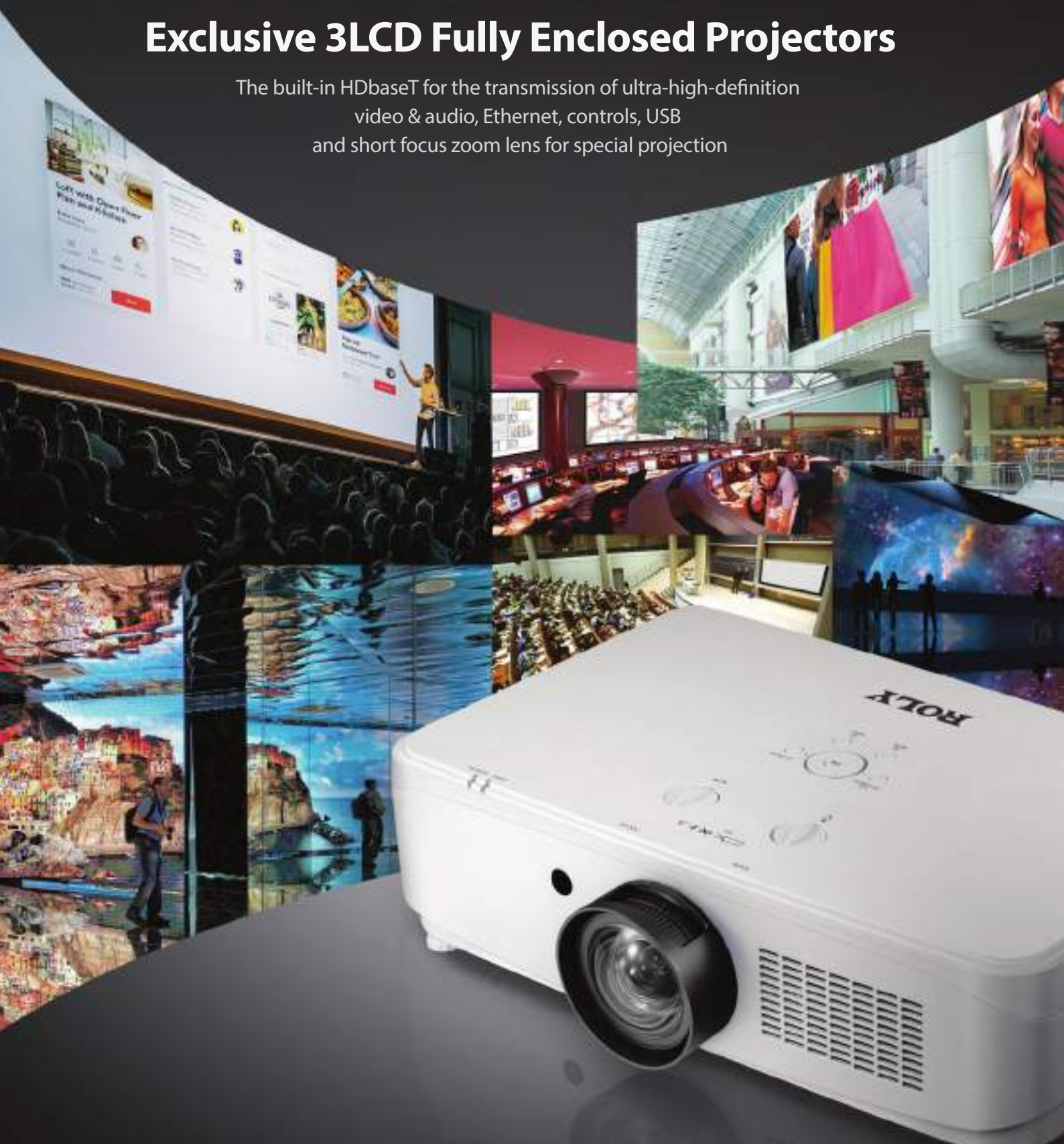


Exclusive 3LCD Fully Enclosed Projectors

The built-in HDbaseT for the transmission of ultra-high-definition video & audio, Ethernet, controls, USB and short focus zoom lens for special projection



RL-6000UT

WUXGA

6000 lm

Fully-enclosed design



Internal circulating cooling system



Filter-free, no consumables without maintenance



Smart fan



HDbaseT



360° installation



short focus zoom



Specifications

Model	RL-6000UT	
Display Technology	Liquid Crystal Display	
LCD panel	3x0.64"(16:10)	
Brightness	6000 lm	
Resolution	WUXGA (1920x1200)	
Number of pixels	2,304,000 (1920 x1200) x3, total of 6,912,000 pixels	
Contrast	3500000:1	
Center to corner uniformity	≥ 90%	
Lens	F2.0~2.16 · f=9.77~11.32mm · Manual zoom (1.2x) · Manual focus	
Screen size	60"~300"	
Throw distance	0.86m~5.16m	
Throw Ratio	0.68-0.80	
Light source (service life)	Laser diode (Normal mode: 20000h, Eco mode: 25000h)	
Lens Shift	Up: 35% (Manual) · Down: 5% (Manual) · Horizontal: ±10% (Manual)	
Keystone Correction	Vertical: ±40° (Auto, Manual) · Horizontal: ±15° (Manual)	
Input Terminals	PC	DVI-D x1 · VGA (D-sub 15pin) x1
	Audio	Audio in: mini jack x1 (3.5mm)
	Video	HDMI x1 · Video x1 (RCA)
	Others	USB x2 · HDbaseT x1
Output terminal	VGA (D-sub 15pin) x1 · Audio out (Mini-jack) x1 (3.5mm)	
Control terminal	RS232 (D-sub 9pin) x1 · RJ-45 x1 (Control)	
PC input signal	PC-VGA, SVGA, XGA, SXGA, WXGA, UXGA, WUXGA / Mac	
Video input signal	PAL, SECAM, NTSC (480i, 480p, 565p, 576i, 576p, 720p, 1080i, 1080p)	
Scanning Frequency	Horizontal: 15~90kHz · Vertical: 50~80Hz	
Noise	Normal mode: 37dB · Eco mode: 29dB	
Projection method	Ceiling / floor · front / rear (Auto Image Rotation)	
Speaker	10W x1	
Weight	11 kg	
Dimension (WxHxD)	545x135x345mm (not incl. protruded part)	
Power supply	100~240V AC (50/60Hz)	
Power Consumption	460W max (≤ 0.5W when Standby mode set to Eco)	
Operating environment	Operating temperature: 0°C~40°C · operating humidity: 20%~80% (non-condensation)	
Standard accessory	Wireless remote control, power cord	
Function	<ul style="list-style-type: none"> ◆ Built-in LAN for remote monitoring ◆ DICOM simulation mode ◆ Overheat automatic shutdown function ◆ Quick start and Quick off ◆ One-button black screen function ◆ Quiet 29dB (Eco mode) ◆ Compatible with PJ-Link · AMX · Crestron ◆ Password locking and anti-theft lock latch ◆ Blackboard modes for colored screen surfaces ◆ USB Memory Viewer 	

* These specifications and the product design are subject to change without notice.

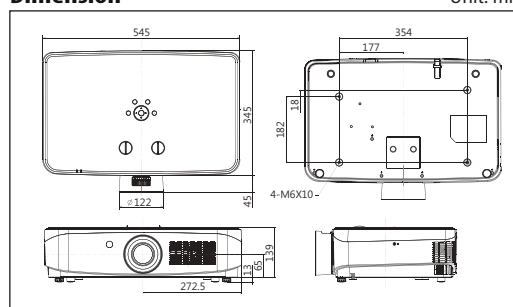
Projection distance WUXGA (16:10 aspect ratio)

Screen size (inch)	min. (wide) (meters)	max. (tele) (meters)
60"	0.86	1.02
100"	1.47	1.73
120"	1.77	2.08
150"	2.22	2.61
200"	2.98	3.09
300"	4.32	5.16

* Approximate throw distances shown above were calculated on lens design specifications.
* Please note that up to 5% deviation may result due to lens variation.

Dimension

Unit: mm



Precautions

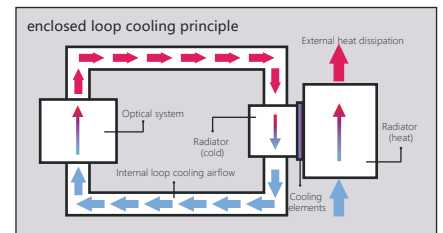
- ◆ According to the ISO21118 standard: all data represents the average value of the product at the time of production, and the minimum value of the product is 80% of the value.
- ◆ Product specifications are for reference only. If there is any misuse or change, please refer to the actual machine without prior notice.
- ◆ This projector is not a medical device, please do not use it for actual diagnosis. DICOM simulation mode is suitable for medical training and demonstration.
- ◆ The environment and method of use will affect the life of the projector. The listed data is only the maximum, non-guaranteed hours.
- ◆ The final information of the product is marked by the box or the actual product. Please confirm with the dealer when purchasing.
- ◆ All materials have been carefully checked for accuracy, please be aware of any errors in printing or deviations in translation.



Features

◆ Fully-enclosed Structure Design

ROLY laser projector has the IP6X level of enclosed light machine structure. It can block dust from entering without the need of using a filter, thus prolonging the internal optical elements service life.



◆ Internal Circulating Cooling System

ICCS technology uses the enclosed cooling principle - the external cooling system and the internal loop cooling system, which keeps the internal optical system having a good constant temperature environment.

◆ No Light-Source Replacement for 20,000 hours

Laser light source has an ultra-long service life of 20,000 hours. With energy-saving and environment-friendly characteristics, it can save more than 30% of energy compared to general projectors.

◆ Smart Temp. Control System

It automatically controls the fan speed to adjust the projector working temperature, which increases its stability and prolongs its service life.

◆ Other

- ◆ Lens shift Function
- ◆ Corner Keystone Correction
- ◆ 360° free and flexible installation function
- ◆ Auto Image Rotation
- ◆ DICOM simulation mode
- ◆ Built-in LAN for remote monitoring
- ◆ Quick start and Quick off function
- ◆ One-button black screen function
- ◆ Overheat automatic shutdown function
- ◆ Password locking and anti-theft lock latch
- ◆ Compatible with Crestron - PJ-Link - AMX

ROLY

TAIWAN ROLY TECHNOLOGY CO., LTD
3F-13, No.14, Lane 609, Section 5, Chongxin Rd.,
San-chong Dist., New Taipei City, Taiwan, R.O.C.

www.rolly-taiwan.com