

## Exclusive 3LCD Fully Enclosed Projectors

Effectively isolate dust,  
No filter needed, Long lasting, and Low attenuation  
on brightness of light source.



**RL-600W**

WXGA 6000 lm

Fully-enclosed design



Internal circulating cooling system



Filter-free, no consumables without maintenance



Smart fan



360° installation



## Specifications

Model	RL-600W	
Display Technology	Liquid Crystal Display	
LCD panel	3x0.64"(16:10)	
Brightness	6000 lm	
Resolution	WXGA (1024x768), Supports highest to WUXGA	
Number of pixels	1,024,000 (1280 x 800) x3, total of 3,072,000 pixels	
Contrast	3500000:1	
Center to corner uniformity	≥ 90%	
Lens	F1.6~1.9 · f=15.31~24.64mm · Manual zoom (1.6x) · Manual focus	
Screen size	30"~300"	
Throw distance	0.68 m~10.84 m	
Throw Ratio	1.05-1.68	
Light source (service life)	Laser diode (Normal mode: 20000h, Eco mode: 25000h)	
Lens Shift	Vertical: ±40% (Manual) · Horizontal: ±10% (Manual)	
Keystone Correction	Vertical: ±40° (Auto, Manual) · Horizontal: ±15° (Manual)	
Input Terminals	PC	DVI-D x1 · VGA (D-sub 15pin) x1
	Audio	Audio in: mini jack x1 (3.5mm)
	Video	HDMI x1 · Video x1 (RCA)
	Others	USB x2
Output terminal	VGA (D-sub 15pin) x1 · Audio out (Mini-jack) x1 (3.5mm)	
Control terminal	RS232 (D-sub 9pin) x1 · RJ-45 x1 (Control)	
PC input signal	PC-VGA, SVGA, XGA, SXGA, WXGA, UXGA, WUXGA / Mac	
Video input signal	PAL, SECAM, NTSC (480i, 480p, 565p, 576i, 576p, 720p, 1080i, 1080p)	
Scanning Frequency	Horizontal: 15~90kHz · Vertical: 24~85Hz	
Noise	Normal mode: 37dB · Eco mode: 29dB	
Projection method	Ceiling / floor · front / rear (Auto Image Rotation)	
Speaker	10W x1	
Weight	9.5 kg	
Dimension (WxHxD)	545x128x345mm (not incl. protruded part)	
Power supply	100~240V AC (50/60Hz)	
Power Consumption	460W max (≤ 0.5W when Standby mode set to Eco)	
Operating environment	Operating temperature: 0°C~40°C · operating humidity: 20%~80% (non-condensation)	
Standard accessory	Wireless remote control, power cord	
Function	<ul style="list-style-type: none"> <li>◆ Built-in LAN for remote monitoring</li> <li>◆ DICOM simulation mode</li> <li>◆ Overheat automatic shutdown function</li> <li>◆ Quick start and Quick off</li> <li>◆ One-button black screen function</li> <li>◆ Quiet 29dB (Eco mode)</li> <li>◆ Compatible with PJ-Link · AMX · Crestron</li> <li>◆ Password locking and anti-theft lock latch</li> <li>◆ Blackboard modes for colored screen surfaces</li> <li>◆ USB Memory Viewer</li> </ul>	

\* These specifications and the product design are subject to change without notice.

### Projection distance

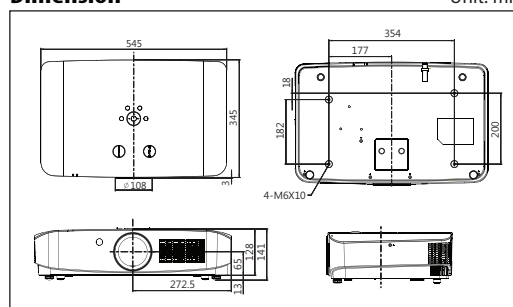
WXGA (16:10 aspect ratio)

Screen size (inch)	min. (wide) (meters)	max. (tele) (meters)
30"	0.68	1.09
60"	1.43	2.31
86"	2.05	3.31
100"	2.26	3.61
120"	2.87	4.62
150"	3.39	5.43
180"	4.30	6.93
200"	4.53	7.24
300"	6.78	10.84

\* Approximate throw distances shown above were calculated on lens design specifications.  
\* Please note that up to 5% deviation may result due to lens variation.

### Dimension

Unit: mm



## Precautions

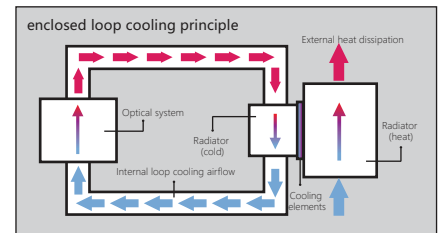
- According to the ISO21118 standard: all data represents the average value of the product at the time of production, and the minimum value of the product is 80% of the value.
- Product specifications are for reference only. If there is any misuse or change, please refer to the actual machine without prior notice.
- This projector is not a medical device, please do not use it for actual diagnosis. DICOM simulation mode is suitable for medical training and demonstration.
- The environment and method of use will affect the life of the projector. The listed data is only the maximum, non-guaranteed hours.
- The final information of the product is marked by the box or the actual product. Please confirm with the dealer when purchasing.
- All materials have been carefully checked for accuracy, please be aware of any errors in printing or deviations in translation.



## Features

### ■ Fully-enclosed Structure Design

ROLY laser projector has the IP6X level of enclosed light machine structure. It can block dust from entering without the need of using a filter, thus prolonging the internal optical elements service life.



### ■ Internal Circulating Cooling System

ICCS technology uses the enclosed cooling principle - the external cooling system and the internal loop cooling system, which keeps the internal optical system having a good constant temperature environment.

### ■ No Light-Source Replacement for 20,000 hours

Laser light source has an ultra-long service life of 20,000 hours. With energy-saving and environment-friendly characteristics, it can save more than 30% of energy compared to general projectors.

### ■ Smart Temp. Control System

It automatically controls the fan speed to adjust the projector working temperature, which increases its stability and prolongs its service life.

### ■ Other

- ◆ Lens shift Function
- ◆ Corner Keystone Correction
- ◆ 360° free and flexible installation function
- ◆ Auto Image Rotation
- ◆ DICOM simulation mode
- ◆ Built-in LAN for remote monitoring
- ◆ Quick start and Quick off function
- ◆ One-button black screen function
- ◆ Overheat automatic shutdown function
- ◆ Password locking and anti-theft lock latch
- ◆ Compatible with Crestron - PJ-Link - AMX

# ROLY

TAIWAN ROLY TECHNOLOGY CO., LTD  
3F-13, No.14, Lane 609, Section 5, Chongxin Rd.,  
San-chong Dist., New Taipei City, Taiwan, R.O.C.

www.rolly-taiwan.com